

# quality meets cost efficiency

## BACK TO BUSINESS RADAR DEAL



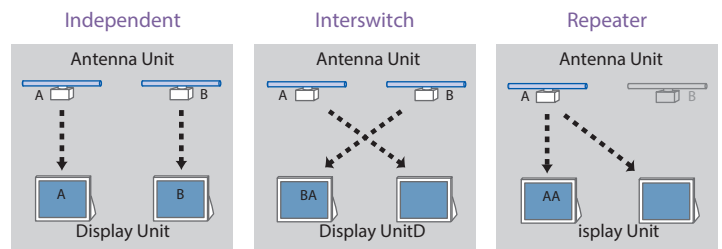
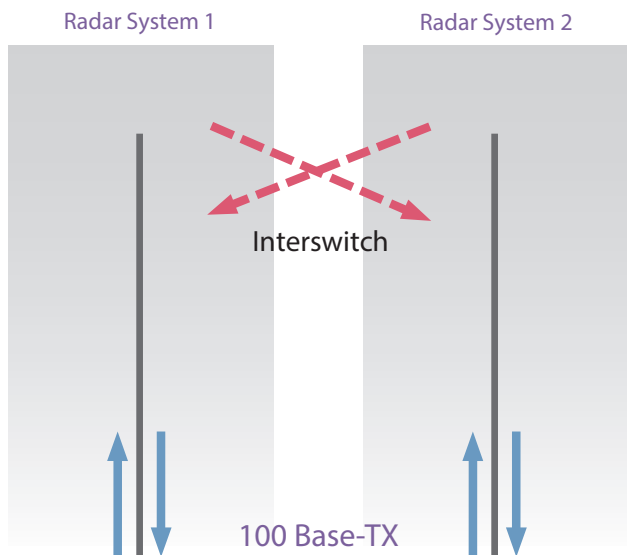
Furuno FAR-1518 IMO Version

12.900,- €\* net

incl. Installation in all German Ports

- \*
  - 19" Display
  - 12kW Turning Unit
  - 6,5ft Antenna
  - 15m Antenna Cable
  - Performance Monitor
  - Installation excl. shipyard work
  - Commisioning
  - Travel costs to all German ports

### Scalable Ethernet Network System



FAR-15x8 series utilizes a 100 Base-TX Ethernet connection to network up to two radar systems together. This Ethernet data link gives high-speed and stable navigational data sharing for interswitching as well as sharing data between ECDIS and GPS plotters.

see next page

YOUR ESCAPE OUT OF SERVICE MISERY

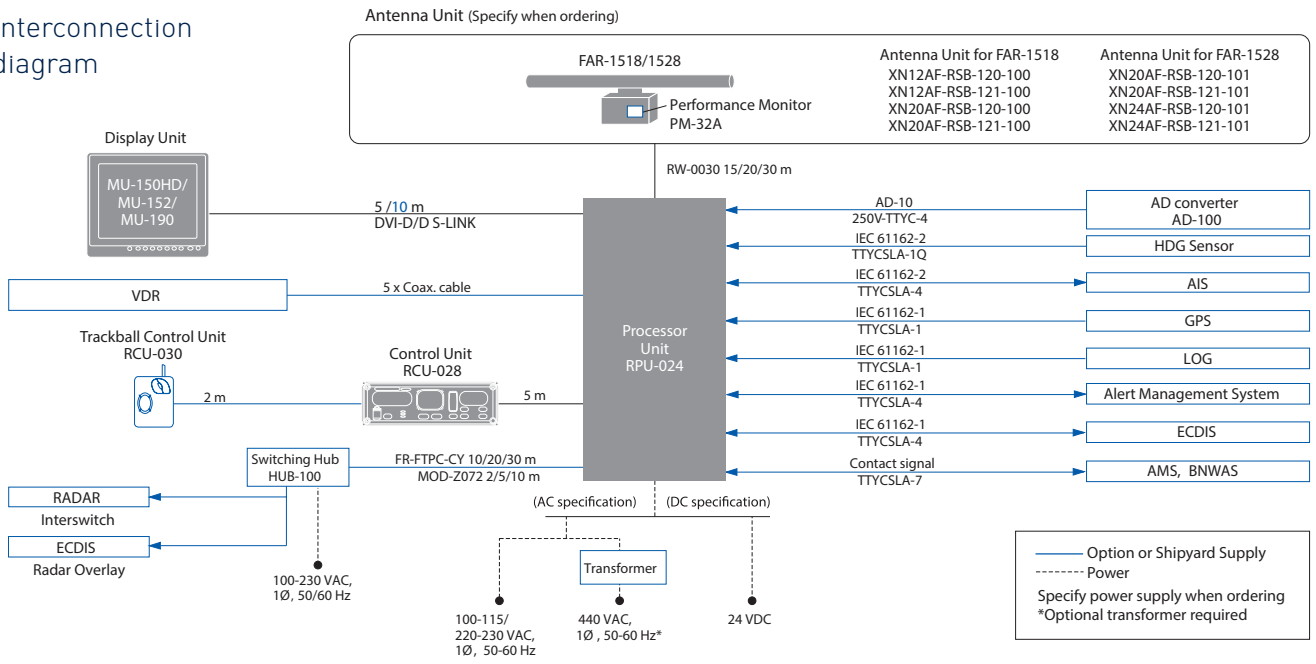


visit us under:

[www.furuno-partner.eu](http://www.furuno-partner.eu)

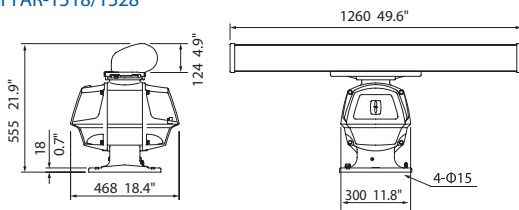


# Interconnection diagram

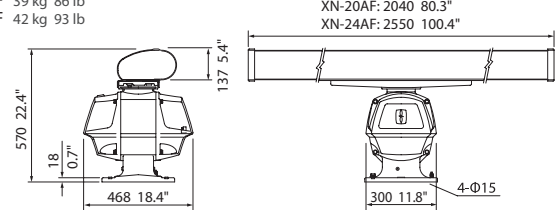


## Antenna Unit for FAR-1518/1528

**XN12AF**  
33 kg 73 lb

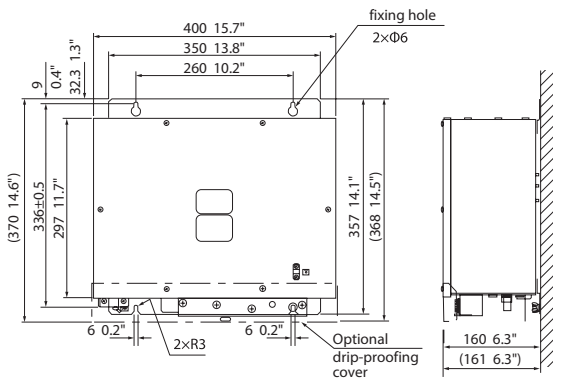


**XN20AF** 39 kg 86 lb  
**XN24AF** 42 kg 93 lb



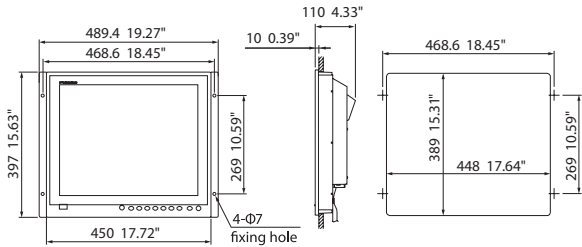
## Processor Unit

**RPU-024**  
 DC 6.2 kg 13.7 lb  
 AC 6.8 kg 15.0 lb



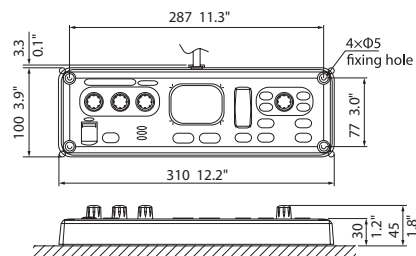
## Display Unit

**MU-190 (Flush mount)**  
8.8 kg 19.4 lb

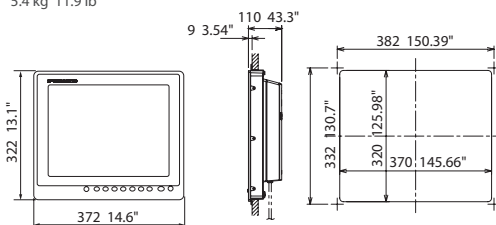


## Control Unit

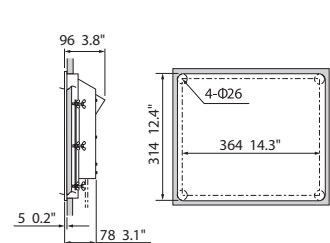
**RCU-028**  
1.2 kg 2.6 lb



**MU-150HD (Flush mount)**  
4.9 kg 10.8 lb  
**MU-152 (Flush mount)**  
5.4 kg 11.9 lb



**MU-150HD**



**YOUR ESCAPE OUT OF SERVICE MISERY**



visit us under:

[www.furuno-partner.eu](http://www.furuno-partner.eu)

